



Specifications/Special Features :

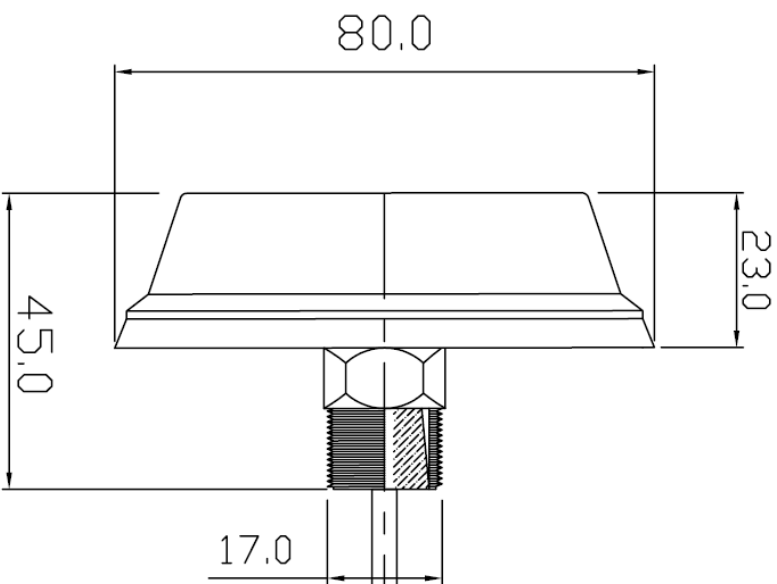
This antenna is designed for

LTE/GSM/3G/WiFi wireless communications

Specification	
Model No.	CA-0727-01
Operating Frequency	700-960/1575-2700MHz
Antenna Type	Ceiling / Roof screw
Gain	1-4 dBi
VSWR	<=2.3
Polarization	Linear Vertical
Temperature	-40 to +85 °C
Humidity	40% to 95% RH
Antenna Connector	SMA PLUG (Option)
Cable	RG174 Length=50CM (Option)
Antenna Color	black or white
Dimension	L45xW80xH45mm

CA-0727-01

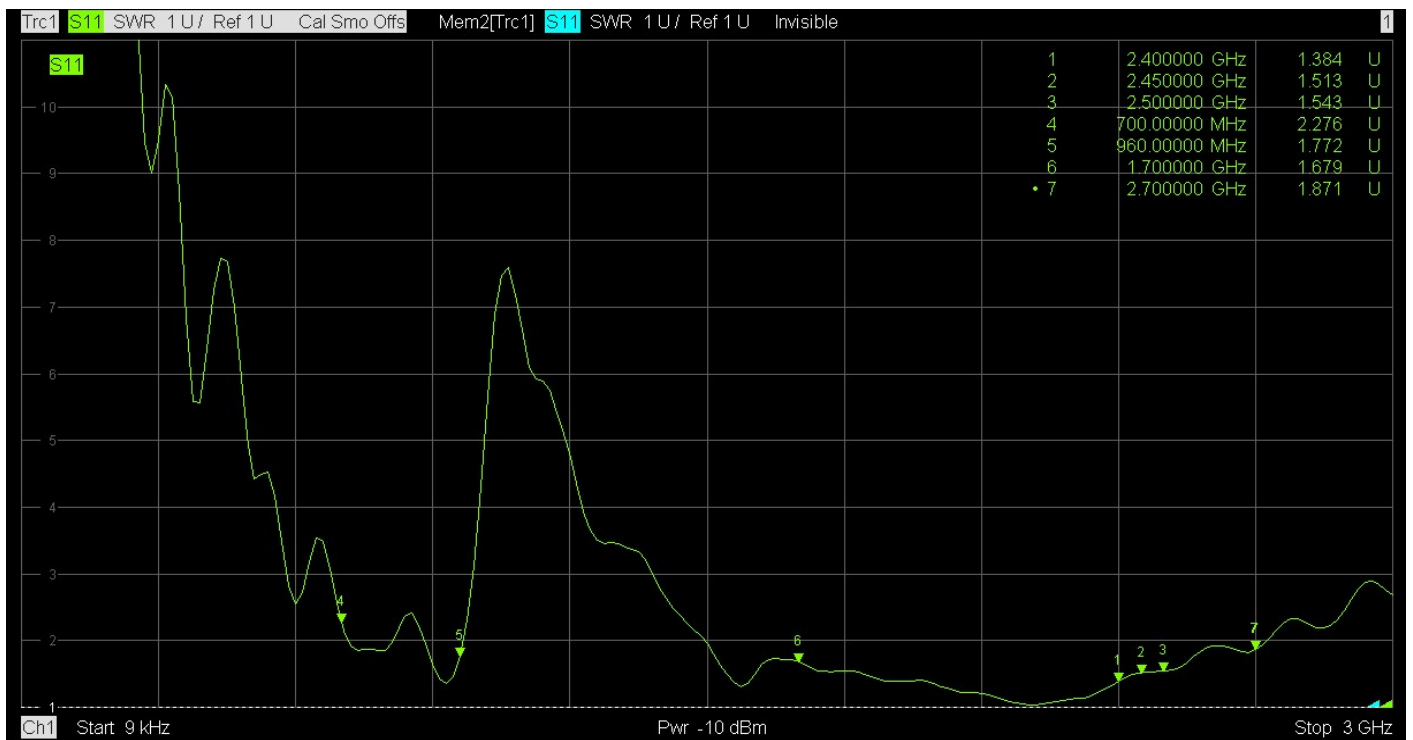
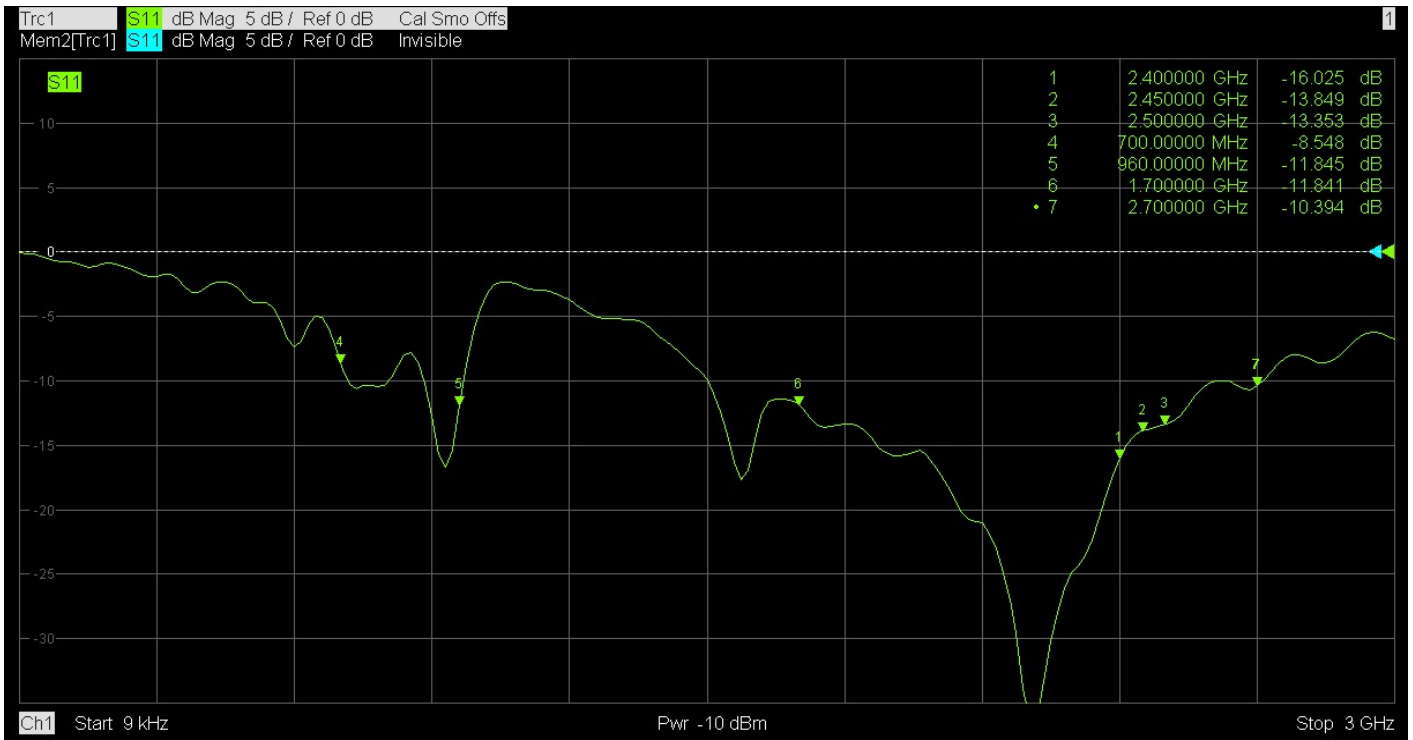
700-960/1575-2700MHz 1-4DBI CEILING OR ROOF SCREW+RG174(50CM)+SMA PLUG



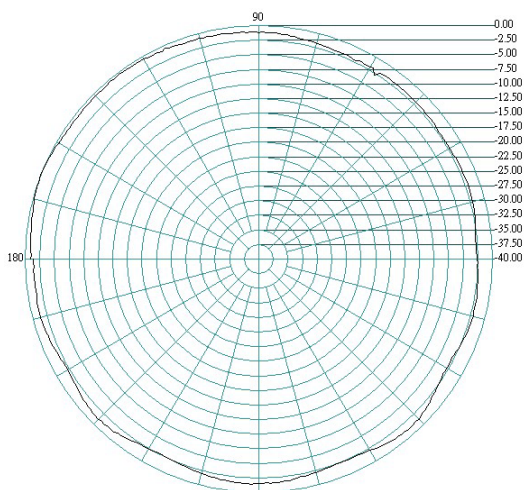
CABLE:RG174 Length=50CM (Option)

SMA PLUG (Option)

1	FREQUENCY : 700-960/1575-2700 MHz	6	IMPEDANCE : 50Ω
2	GAIN : 1-4 dBi	7	
3	V.S.W.R : <=2.3	8	
4	CABLE LENGTH : RG174 L=50CM (Option)	9	
5	CONNECTOR : SMA PLUG (Option)	10	



H-PLANE



E-PLANE

