

315MHz 1/4wave 2dBi FOR SMA MALE R/A



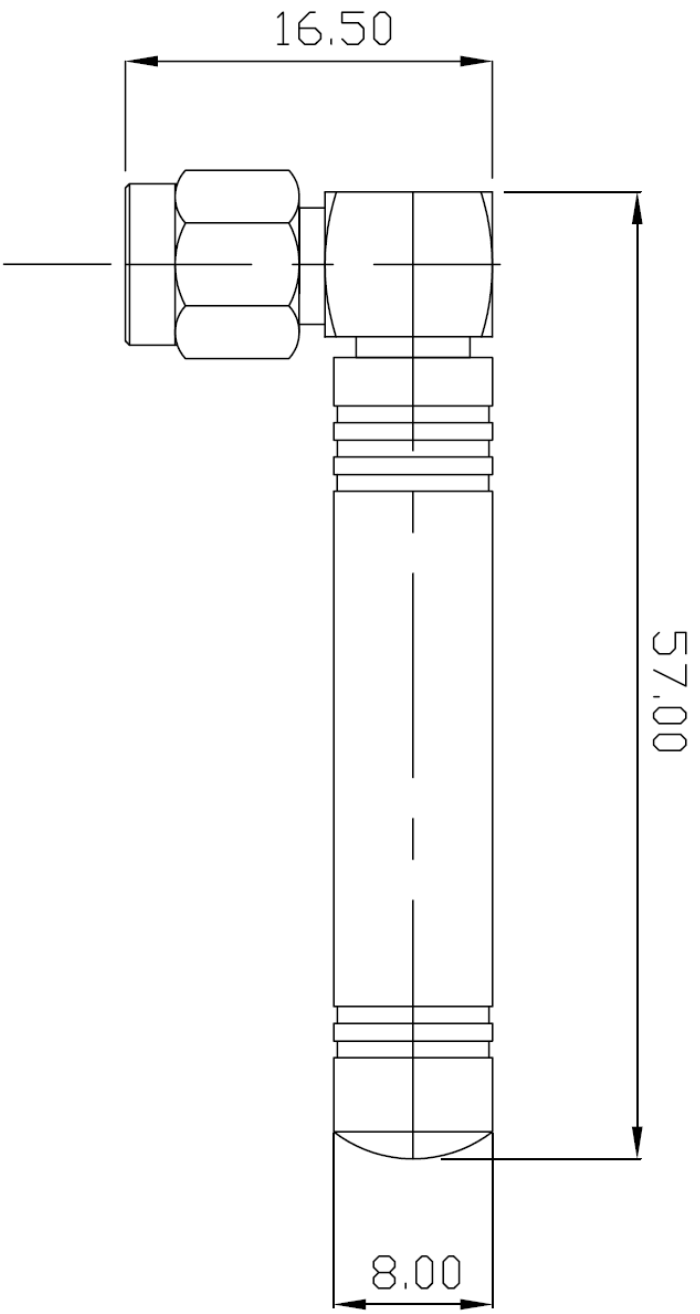
Specifications/Special Features :

This antenna is designed for 315MHz wireless Communications

| Specification | |
|-----------------------|--|
| Model No. | DA-315-01-SMRA |
| Frequency | 315 MHz |
| Gain | 2 dBi |
| V.S.W.R | $\leq 2.1:1$ |
| Polarization | Vertical |
| Connector | SMA Male Right Angle |
| Impedance | 50Ω |
| Operation temperature | $-20^{\circ}\text{C} \sim +60^{\circ}\text{C}$ |
| Storage temperature | $-30^{\circ}\text{C} \sim +75^{\circ}\text{C}$ |
| Dimensions | L57 x W16.5 x H8 mm |

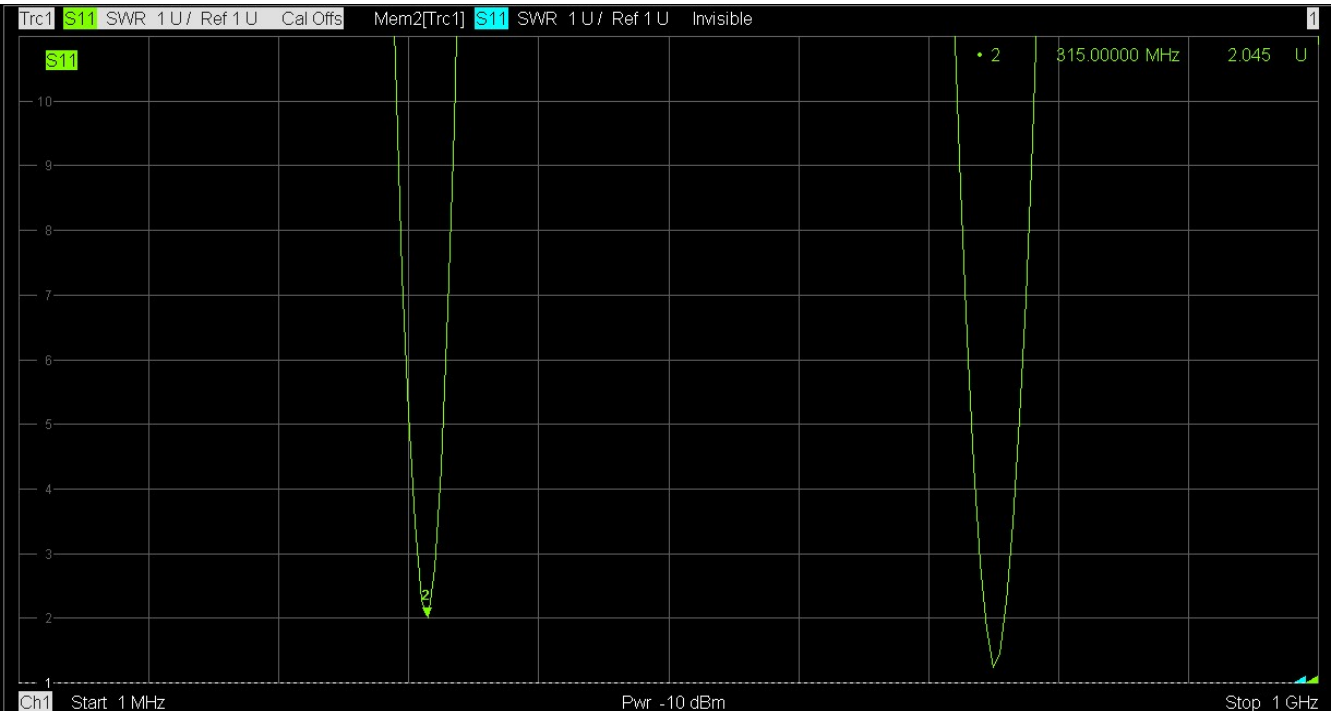
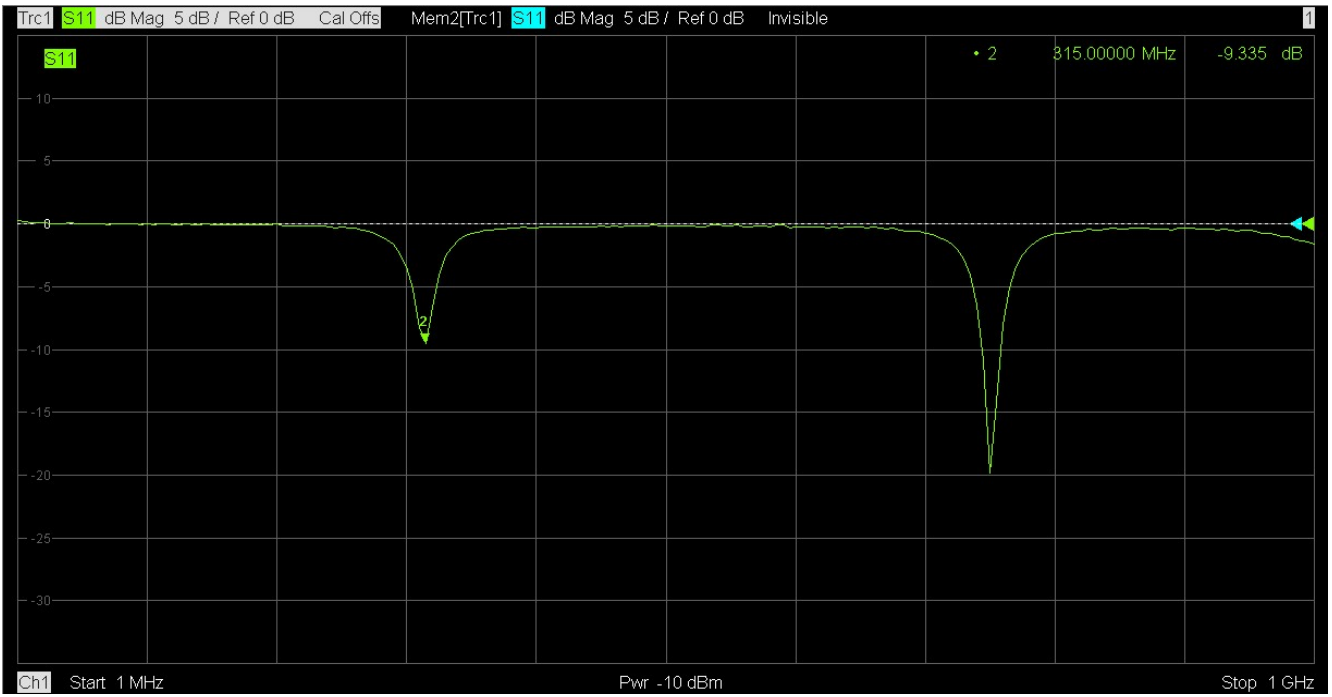
DA-315-01-SMRA

315MHz 1/4wave 2dBi FOR SMA MALE R/A



ANTENNA CONNECTOR: SMA MALE RIGHT ANGLE

| | | | | | |
|---|-------------|--------------|----|-------------|-----|
| 1 | FREQUENCY : | 315MHz | 6 | IMPEDANCE : | 50Ω |
| 2 | GAIN : | 2dBi | 7 | | |
| 3 | V.S.W.R : | <=2.1:1 | 8 | | |
| 4 | LENGTH : | 57mm | 9 | | |
| 5 | CONNECTOR : | SMA MALE R/A | 10 | | |



H-PLANE

E-PLANE

