

412-440 MHz 1/4wave 2 dBi FOR SMA PLUG



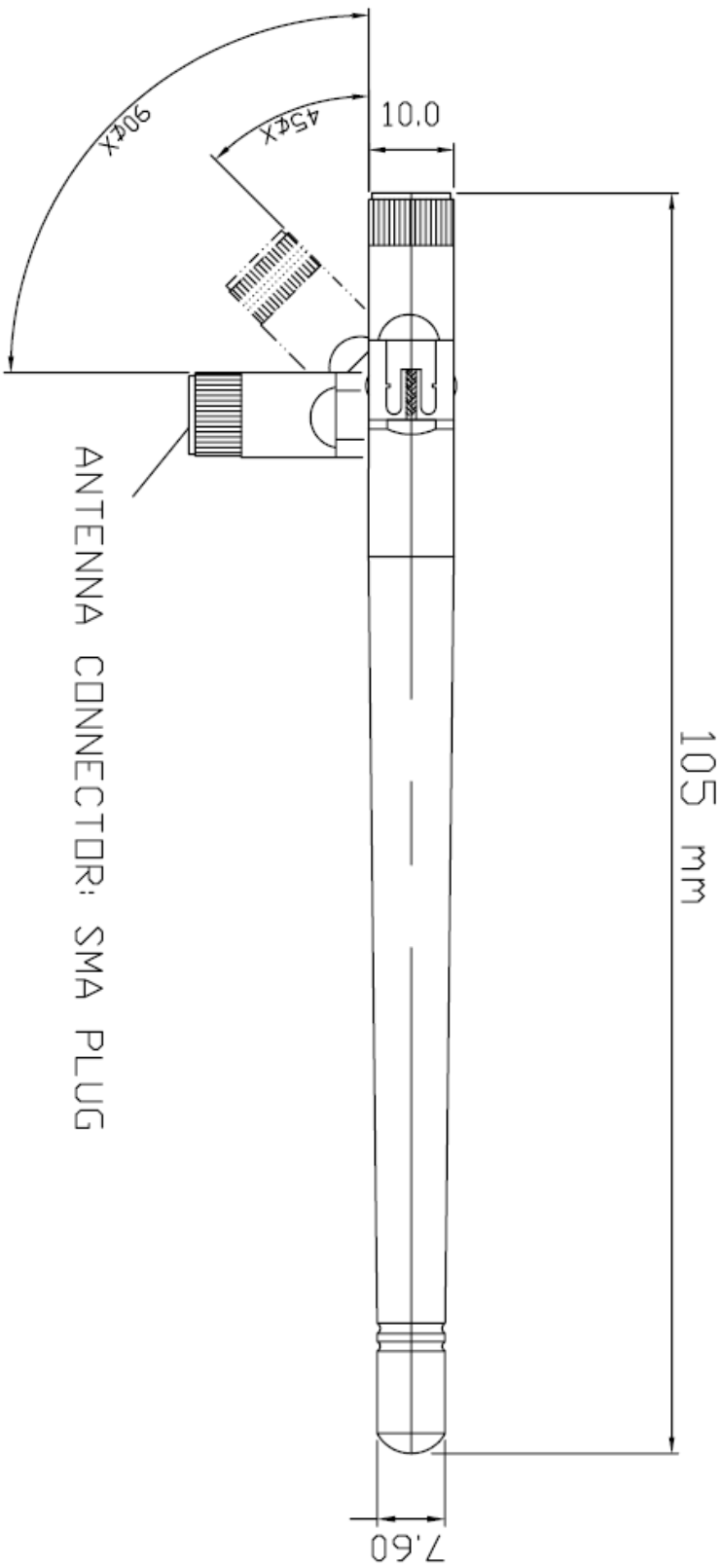
Specifications/Special Features :

This antenna is designed for 412-440MHz wireless Communications

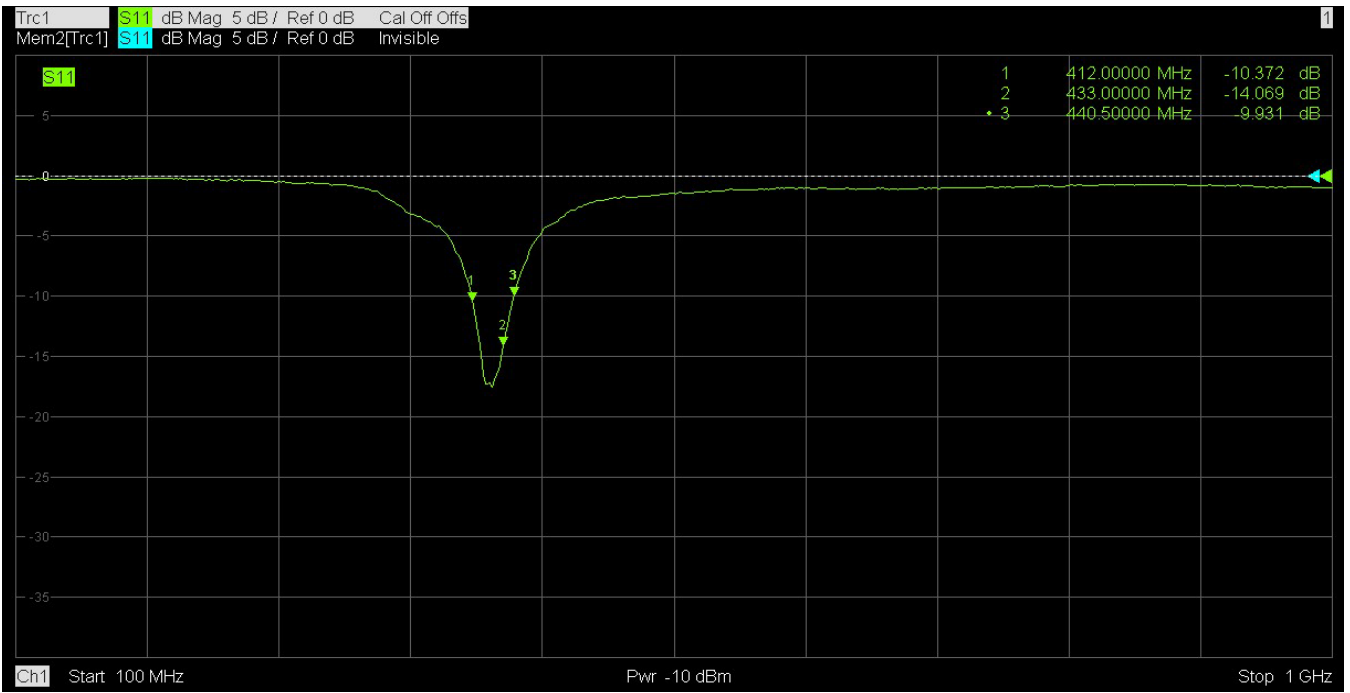
Specification	
Model No.	DA-433-01
Antenna Connector	SMA PLUG (Option)
Gain	2 dBi
Type	Monopole
Polarization	Linear Vertical
VSWR	$\leq 2.0 : 1$
Frequency	412~440MHz
Weight	13g
Size	L105×W10×H10 mm
Antenna Color	black

DA-433-01-SM

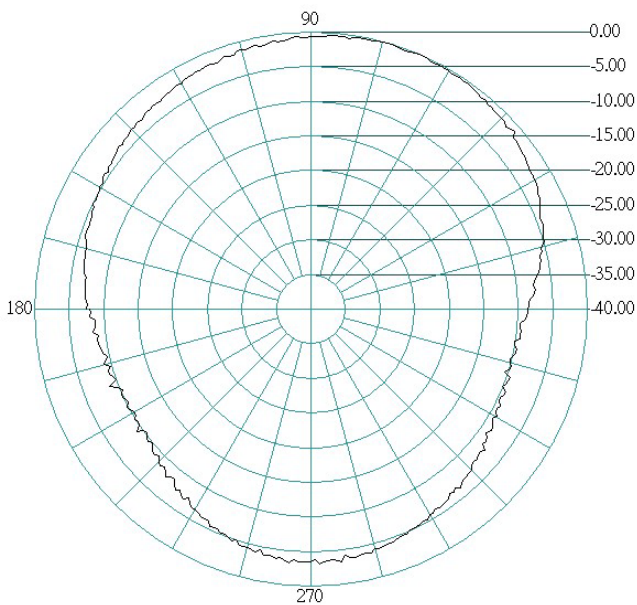
412-440 MHz 1/4wave 2 dBi FOR SMA PLUG



1	FREQUENCY : 412-440MHz	6	IMPEDANCE : 50 Ω
2	GAIN : 2dBi	7	
3	V.S.W.R : ≤2.0:1	8	
4	LENGTH : L105xW10xH10 mm	9	
5	CONNECTOR : SMA PLUG	10	



H-PLANE



E-PLANE

