

2.4-2.5GHz/4.9-5.8GHz Dipole 2dBi FOR SMA MALE R/A



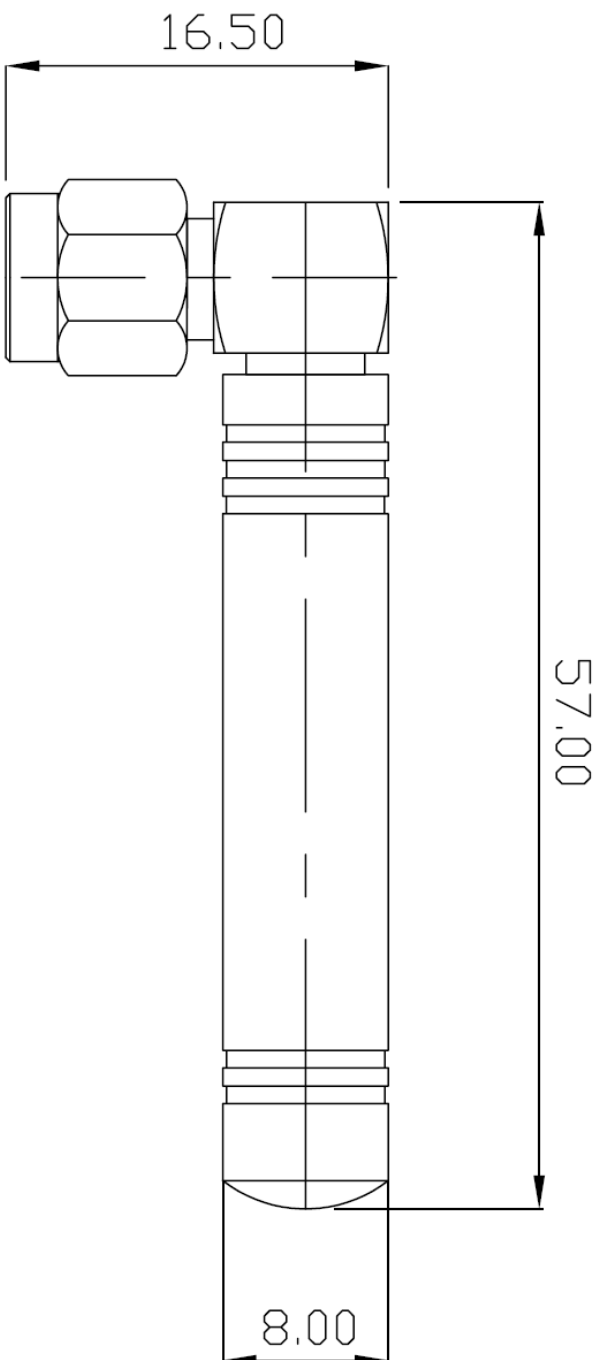
Specifications/Special Features :

This antenna is designed for wifi wireless communications

Specification	
Model No.	DA-2458-08-SMRA
Frequency	2400-2500/4900-5800 MHz
Antenna Type	Dipole
Gain	2 dBi
V.S.W.R	$\leq 2.2:1$
Polarization	Vertical
Connector	SMA Male Right Angle
Impedance	50 Ω
Operation temperature	-20°C ~+60°C
Storage temperature	-30°C ~+75°C
Dimensions	L57 x W16.5 x H8 mm

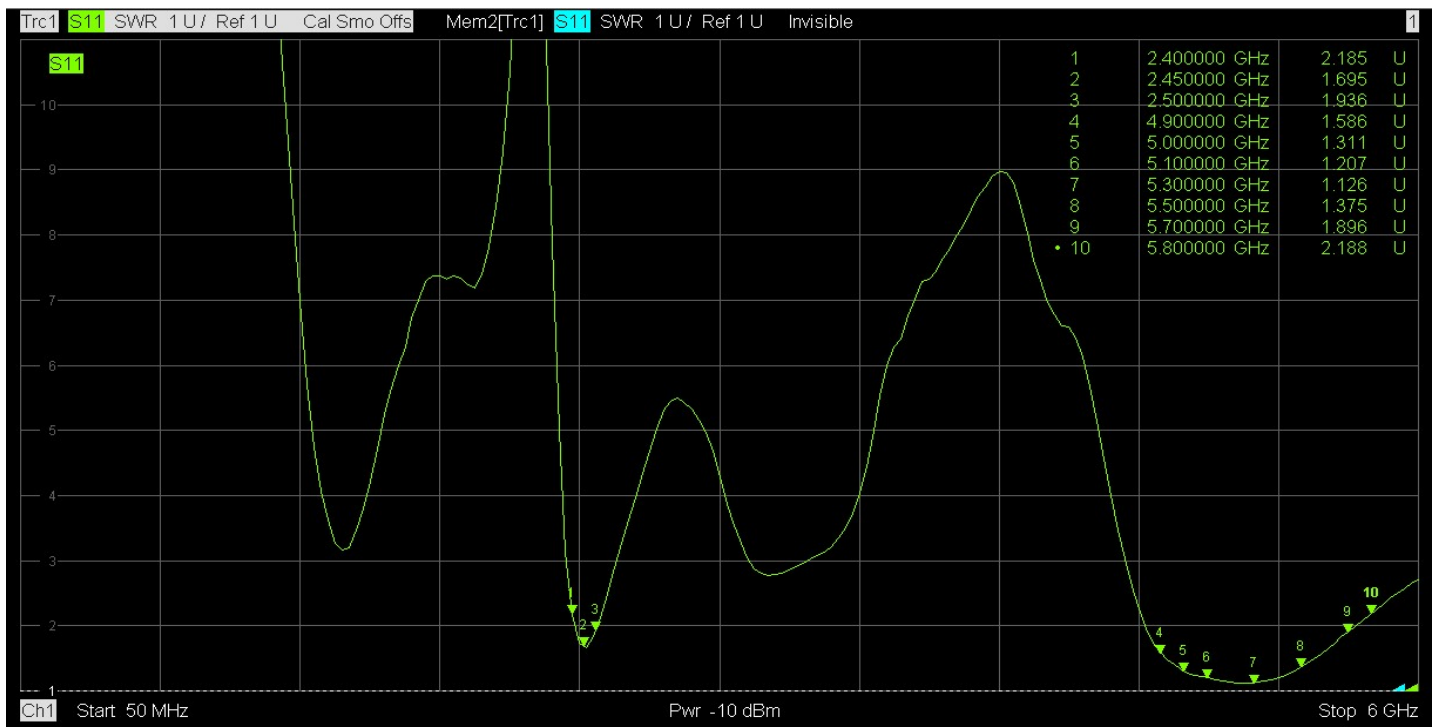
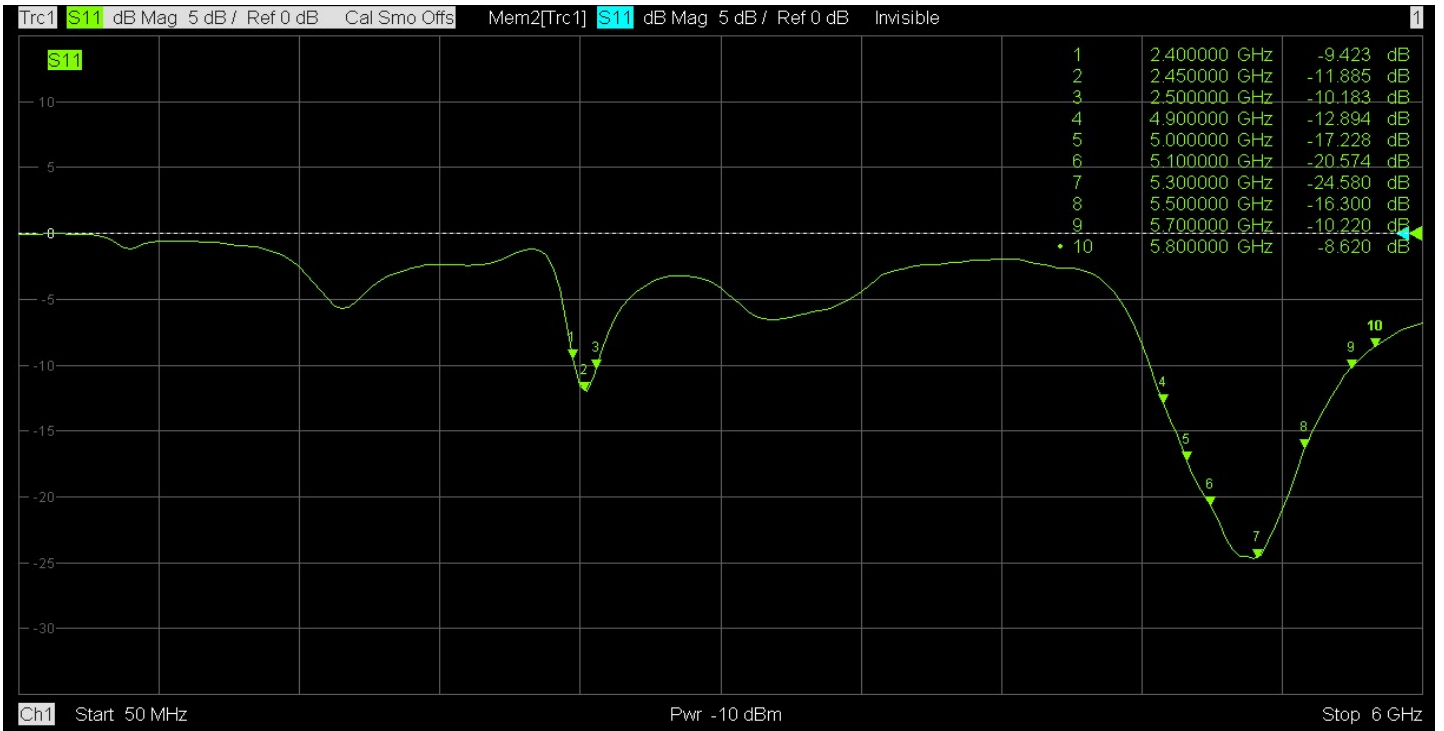
DA-2458-08-SMRA

2.4-2.5GHz/4.9-5.8GHz Dipole 2dBi FOR SMA MALE R/A

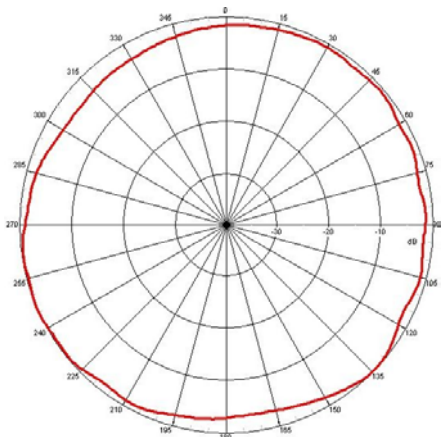


SMA MALE RIGHT ANGLE

1	FREQUENCY : 2400-2500 / 4900-5800 MHz	6	IMPEDANCE : 50 Ω
2	GAIN : 2dBi	7	
3	V.S.W.R : <=2.2:1	8	
4	LENGTH : 57 mm	9	
5	CONNECTOR : SMA MALE R/A	10	



H-PLANE



E-PLANE

