



FLAT TYPE 700-960 1dBi/1700-2700 MHz 4dBi DIPOLE ANTENNA FOR SMA PLUG RP(Antenna Plane to the front and rear)



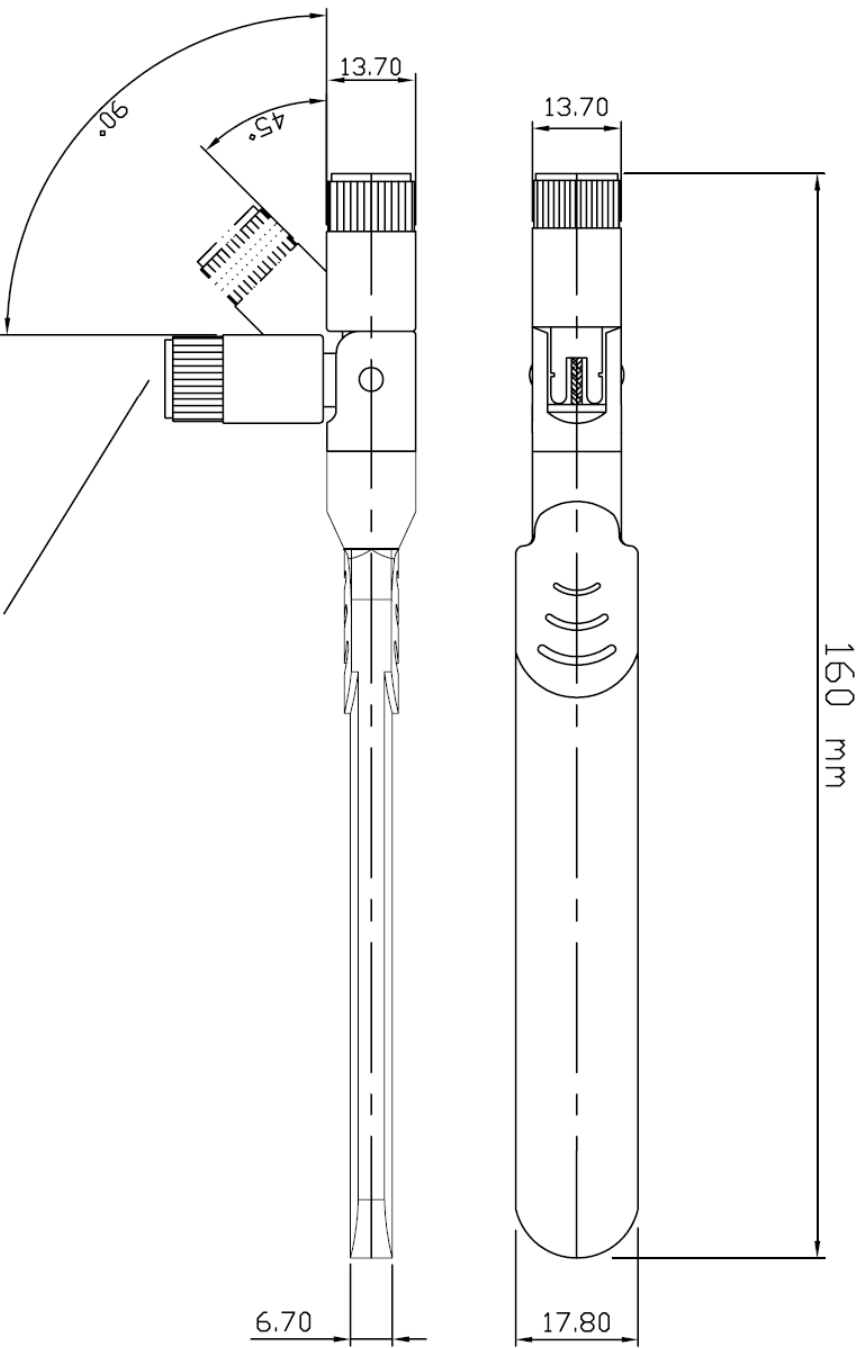
Specifications/Special Features :

This antenna is designed for LTE/GSM/3G/WiFi wireless communications

Specification	
Model No.	DA-0727-04-1
Antenna Connector	SMA PLUG RP (Option)
Frequency	700-960 / 1700-2700MHz
Antenna Type	Dipole
Antenna Form	Flat Type
Gain (dBi)	700-960 1dBi / 1700-2700MHz 4dBi
Polarization	Linear Vertical
VSWR	≤ 3.5
Max Power	50W
Impedance	50Ω
Weight	24g
Size	L160×W17.8×H13.7mm

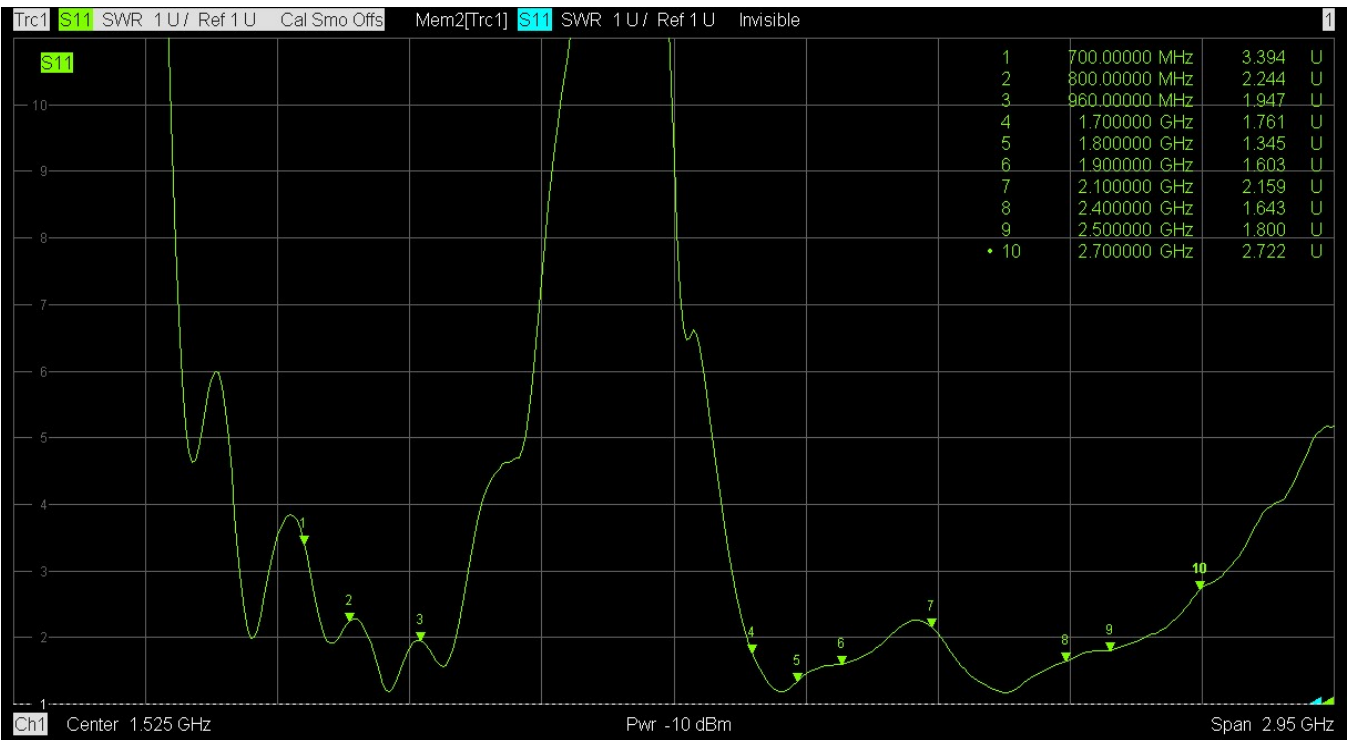
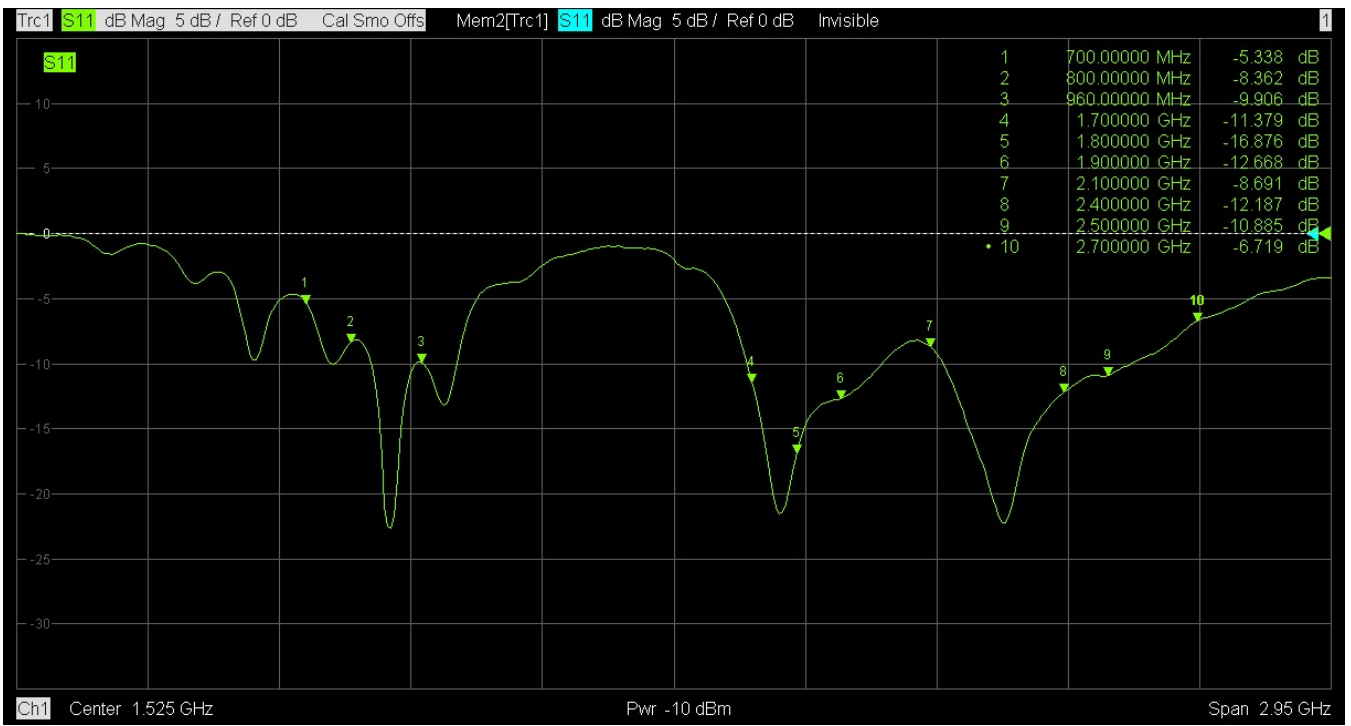
DA-0727-04-1

FLAT TYPE 700-960 1dBi/1700-2700MHz 4dBi DIPOLE ANTENNA FOR SMA PLUG RP(Antenna Plane to the front and rear)

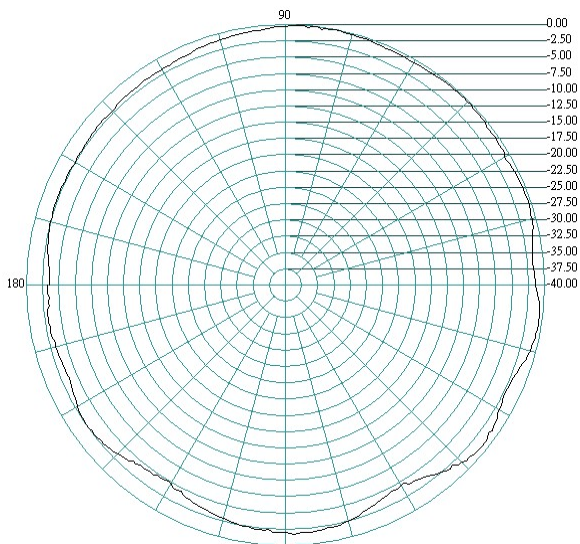


ANTENNA CONNECTOR: SMA PLUG RP (OPTION)

1	FREQUENCY : 700-960 / 1700-2700 MHz	6	IMPEDANCE : 50 Ω
2	GAIN : 700-960 1dBi / 1700-2700 4dBi MHz	7	
3	V.S.W.R : $\leq 3.5:1$	8	
4	ANTENNA LENGTH : L160xW17.8xH13.7 mm	9	
5	CONNECTOR : SMA PLUG RP (OPTION)	10	



H-PLANE



E-PLANE

