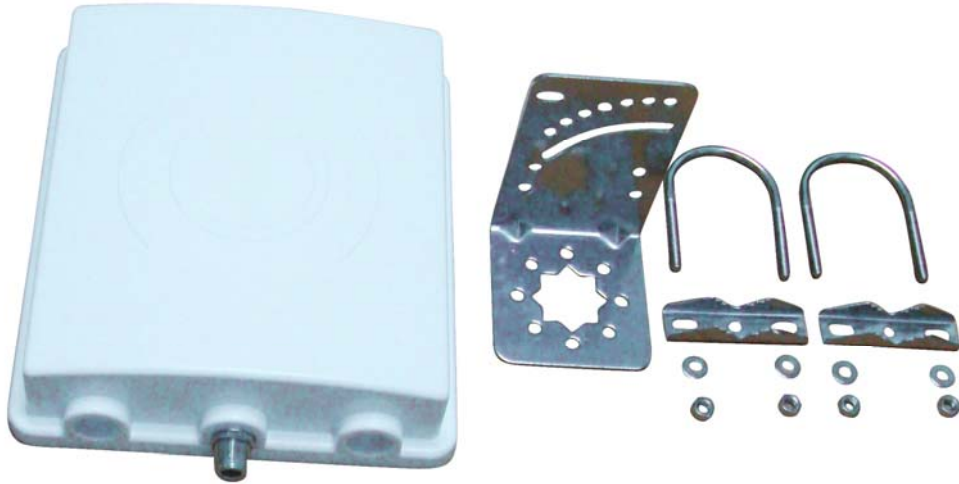


800/1800/1900/2000 MHz PANEL 6 dBi FOR N FEMALE



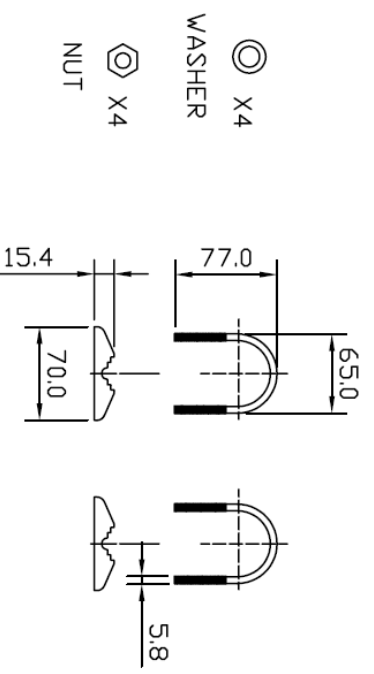
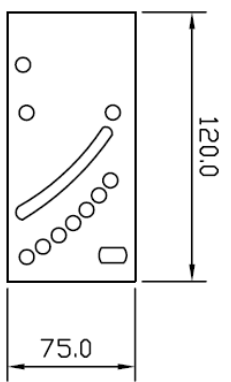
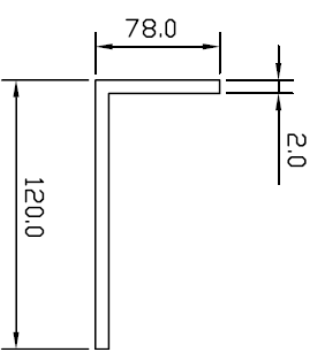
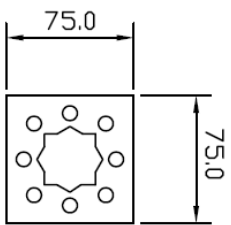
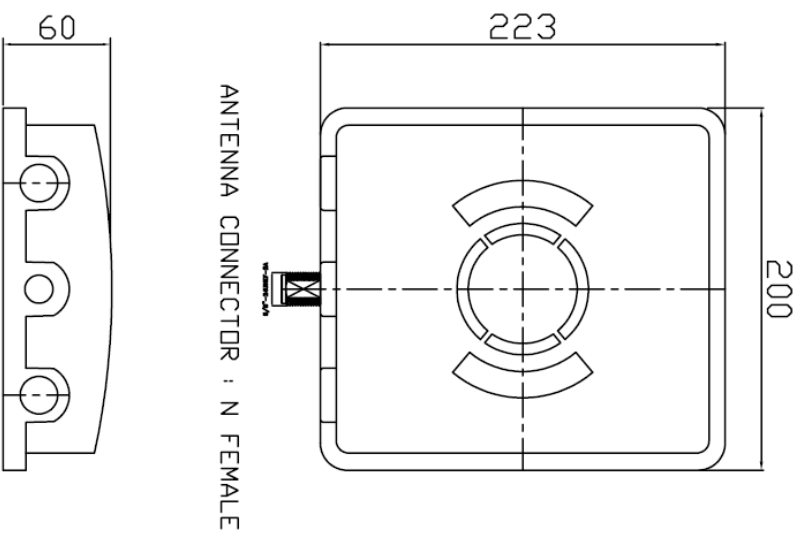
Specifications/Special Features :

This antenna is designed for CDMA/GSM/DCS/PCS wireless communications

Specification	
Model No.	PA-8019-01
Frequency Range	800/1800/1900/2000 MHz
Impedance	50 Ω
V.S.W.R.	< 2.0
Gain	6 dBi
Maximum Power -W	100
Polarization	Vertical
Beam width deg.	Horz.30° Vert.40°
Standard Connector	N Female
Radome Material	ABS polymer (white)
Weight	940g
Dimensions	L223×W200×H60 mm

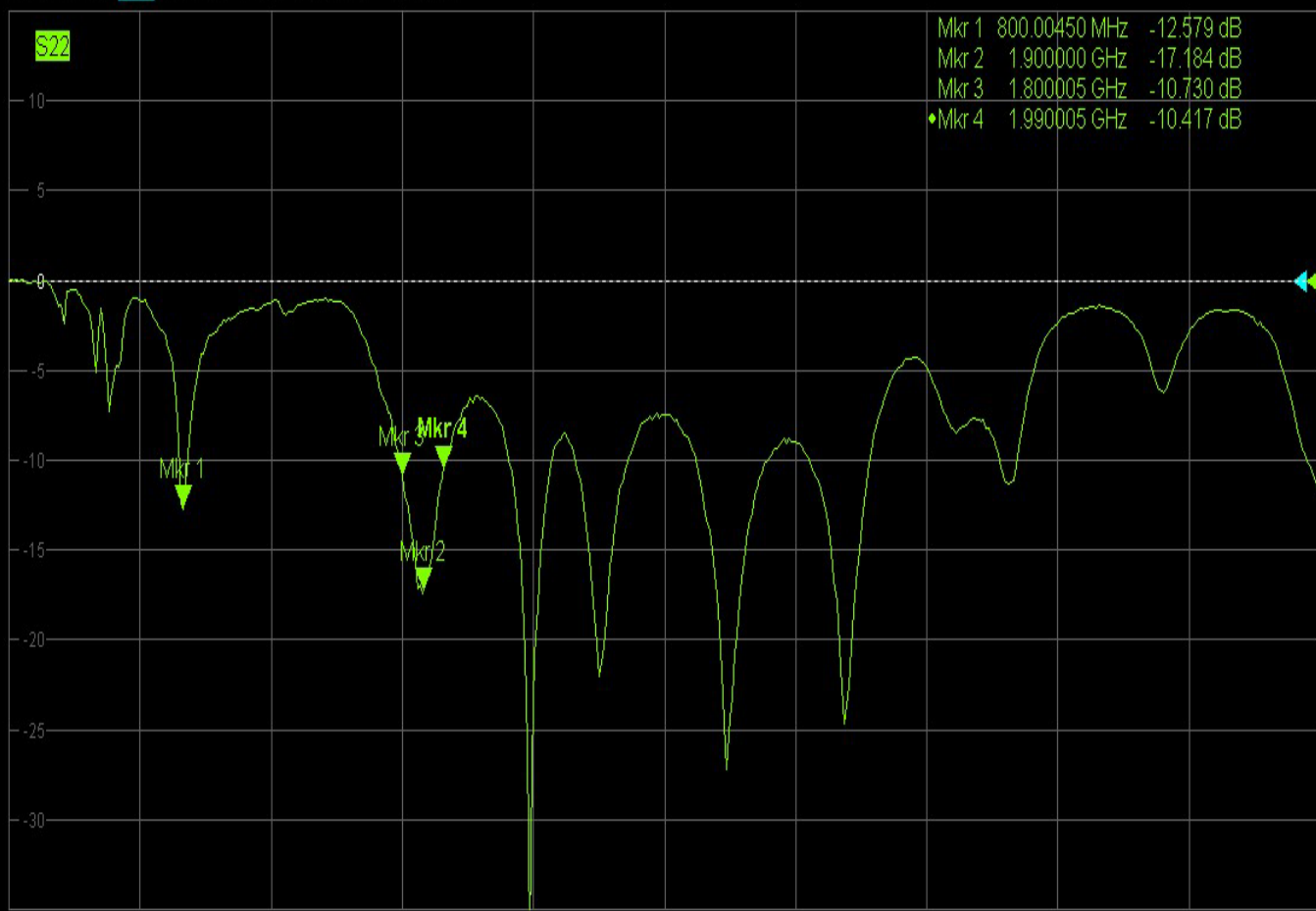
PA-8019-01

800/1800/1900/2000 MHz PANEL 6dBi FOR N FEMALE



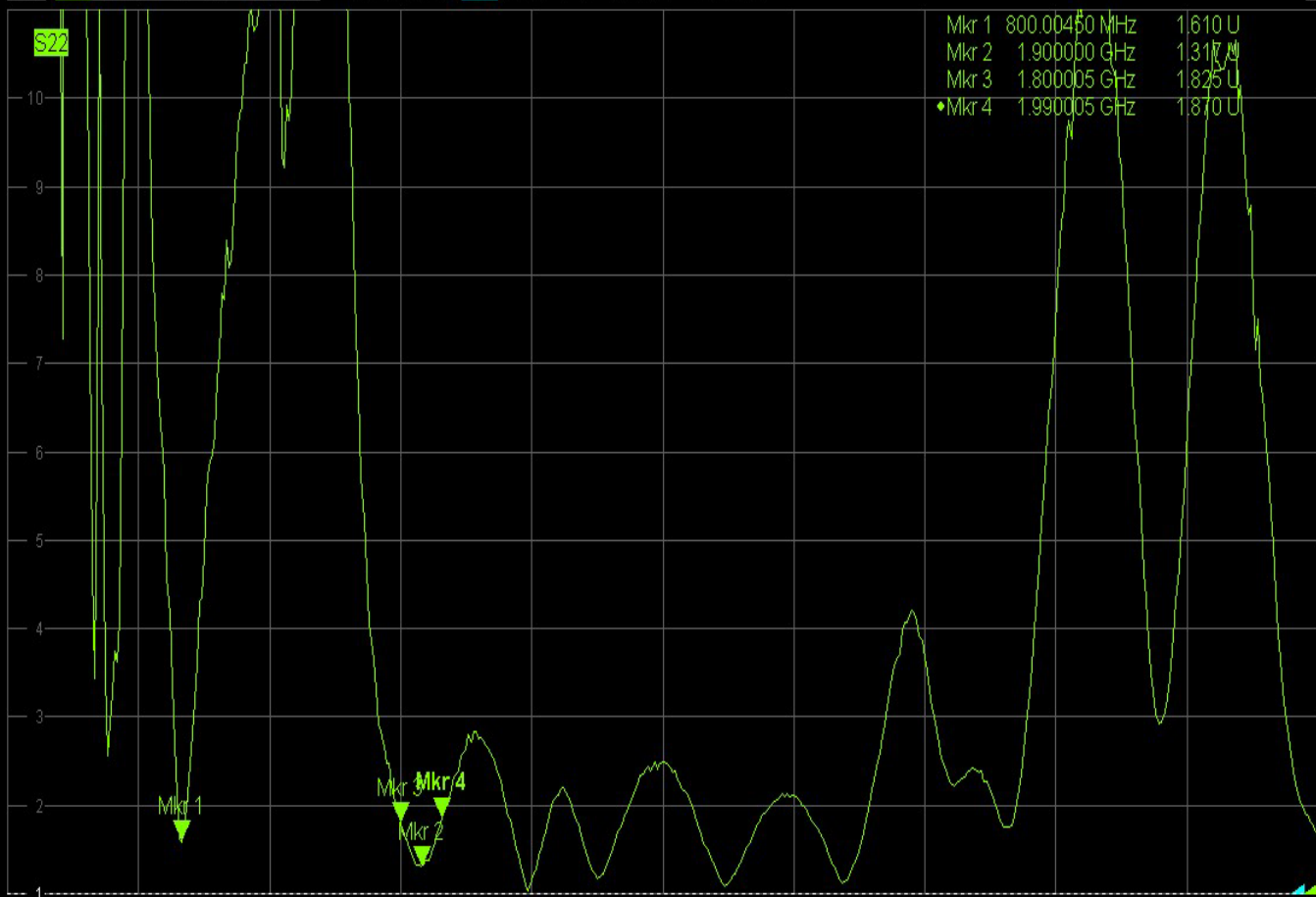
1	FREQUENCY RANGE : 800/1800/1900/2000 MHZ	8	Dimensions : L223XW200XH60mm
2	GAIN : 6 dBi	9	
3	VSWR : < 2.0 : 1	10	
4	IMPEDANCE : 50 Ω	11	
5	POLARIZATION : LINEAR VERTICAL	12	
6	Antenna Connector : N FEMALE	13	
7	Maximum Power : 100W		

Trc1 S22 dB Mag 5 dB / Ref 0 dB Cal
Mem2[Trc1] S11 dB Mag 5 dB / Ref 0 dB Invisible



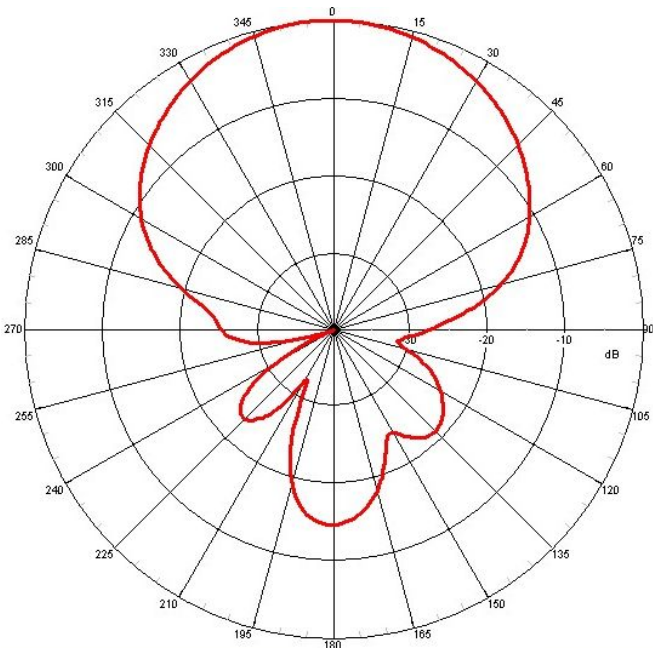
Ch1 Start 9 kHz Pwr 0 dBm Stop 6 GHz

Trc1 S22 SWR 1 U / Ref 1 U Cal Mem2[Trc1] S11 SWR 1 U / Ref 1 U Invisible



Ch1 Start 9 kHz Pwr 0 dBm Stop 6 GHz

H-PLANE



E-PLANE

