

Center Frequency 868MHz 1/4 wave 2dBi FOR SMA MALE R/A

ROHS



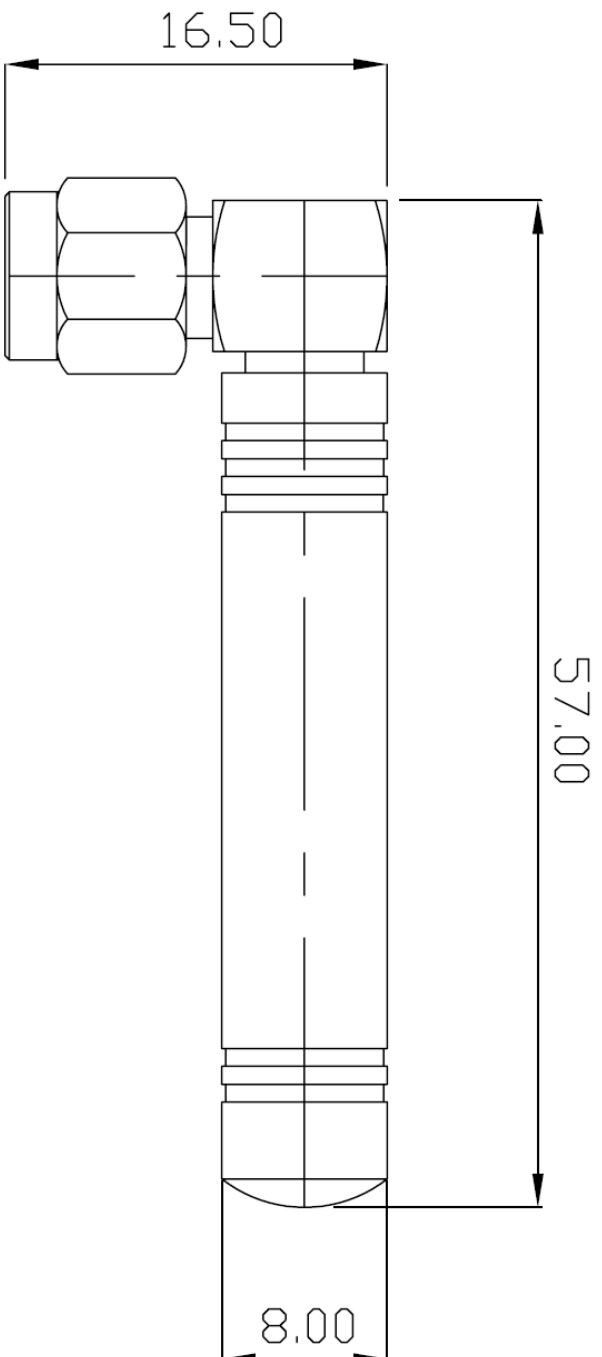
Specifications/Special Features :

This antenna is designed for 868MHz wireless Communications

Specification	
Model No.	DA-868-02-SMRA
Frequency	Center Frequency 868MHz
Gain	2 dBi
V.S.W.R	<=1.5
Polarization	Vertical
Connector	SMA Male Right Angle
Impedance	50Ω
Operation temperature	-20°C ~+60°C
Storage temperature	-30°C ~+75°C
Dimensions	L57 x W16.5 x H8 mm

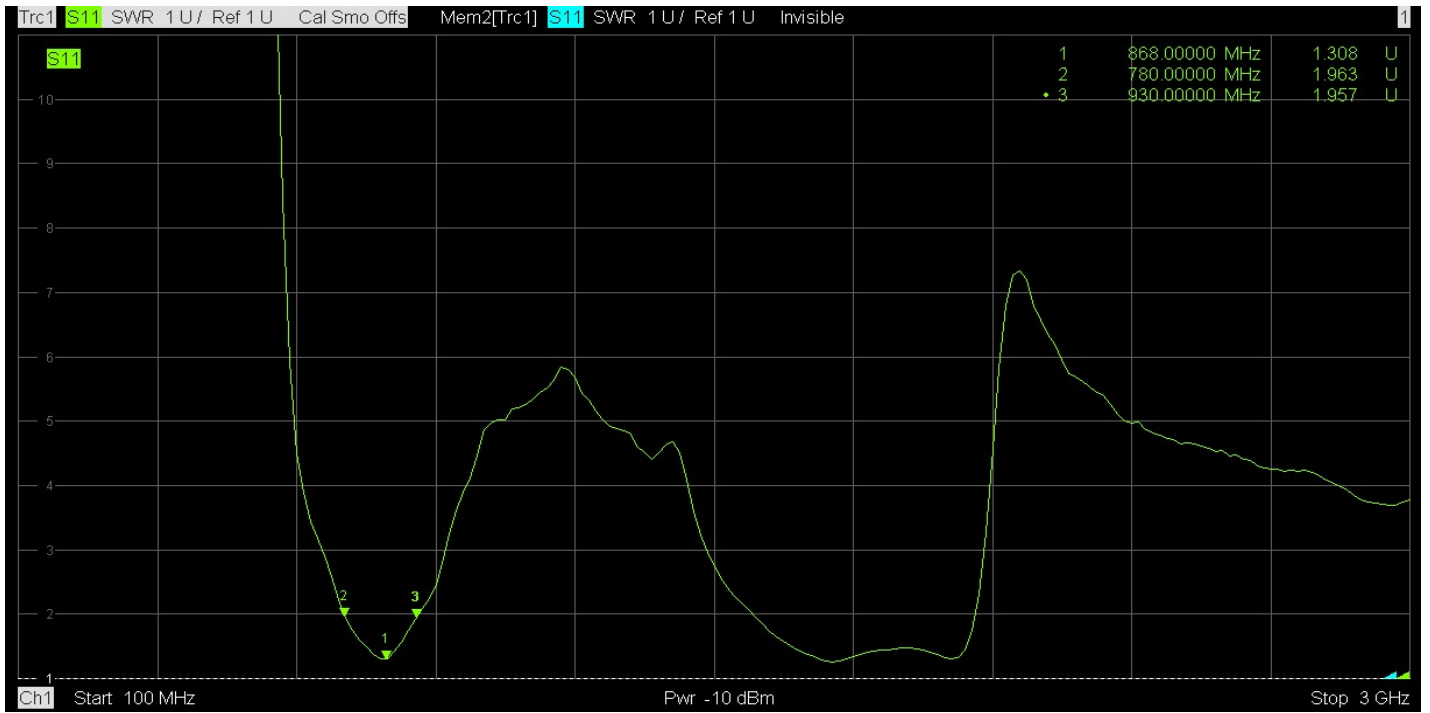
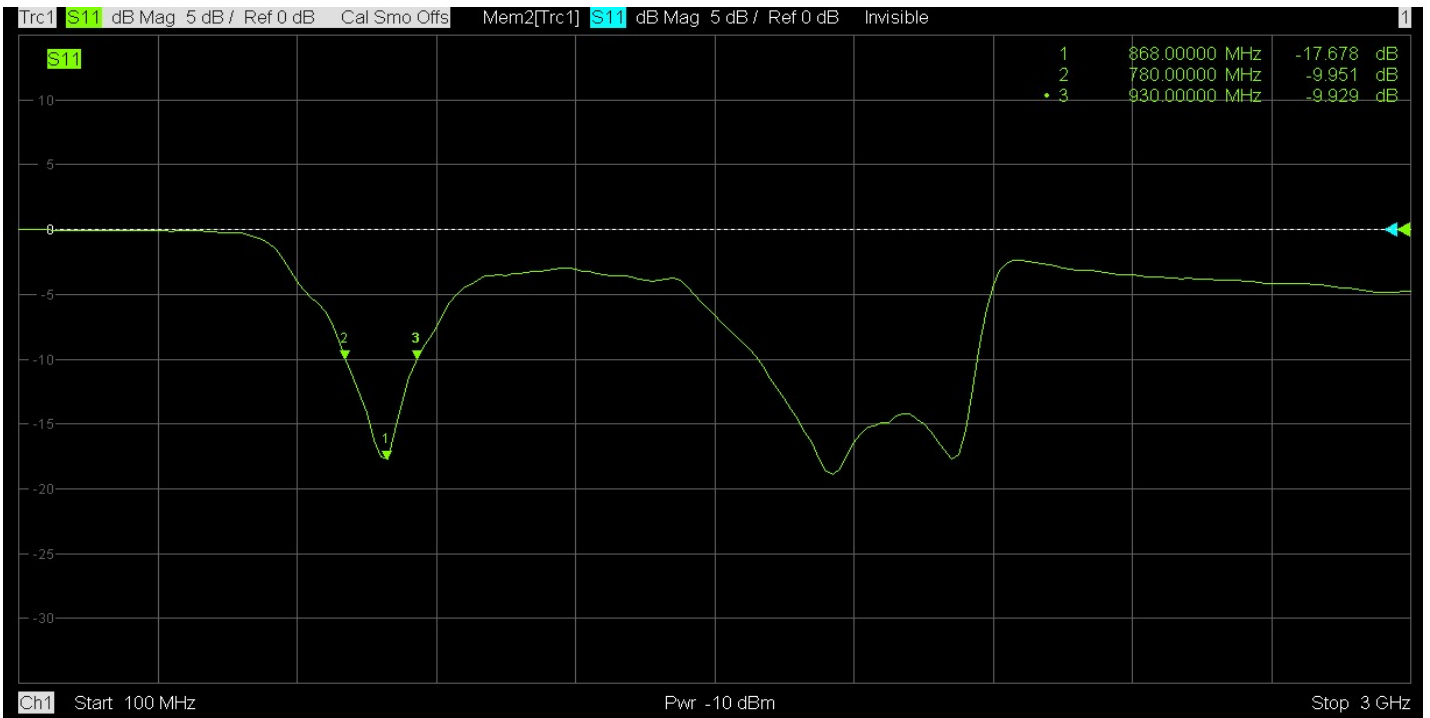
DA-868-02-SMRA

Center Frequency 868MHz 1/4 wave 2dBi FOR SMA MALE R/A

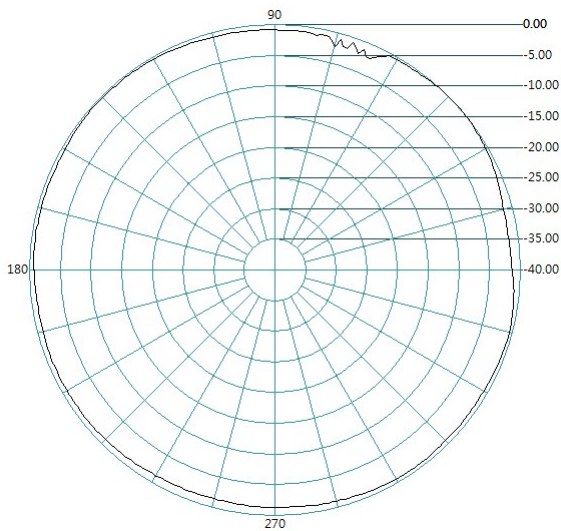


SMA MALE RIGHT ANGLE

1	FREQUENCY : Center Frequency 868 MHz	6	IMPEDANCE : 50 Ω
2	GAIN : 2dBi	7	
3	V.S.W.R : Center Frequency 868 MHz \leq 1.5	8	
4	LENGTH : 57 mm	9	
5	CONNECTOR : SMA MALE R/A	10	



H-PLANE



E-PLANE

