

FLAT TYPE 700-960/1575-2700MHz DIPOLE 1-4 dBi FOR SMA PLUG RP(Antenna Plane to the left and right)



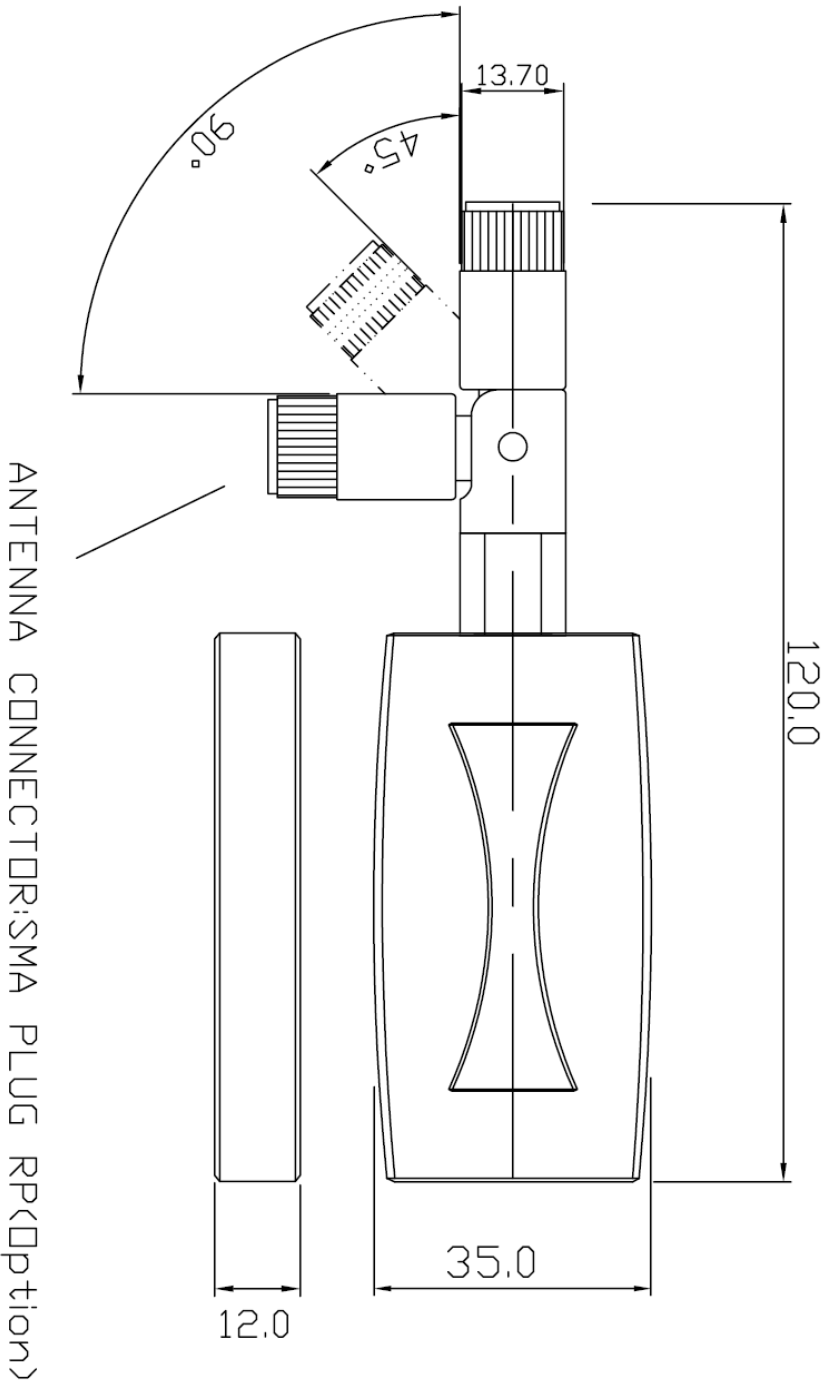
Specifications/Special Features :

This antenna is designed for LTE/GSM/3G/WiFi wireless communications

Specification	
Model No.	DA-0727-01-1
Frequency	700-960/1575-2700MHz
Gain (dBi)	1-4 dBi
Type	Dipole
Polarization	Vertical
Impedance	50Ω
Antenna Color	black
VSWR	≤2.5
Antenna Connector	SMA MALE RP (Option)
Size	L120XW35xH12 mm
Weight	39g

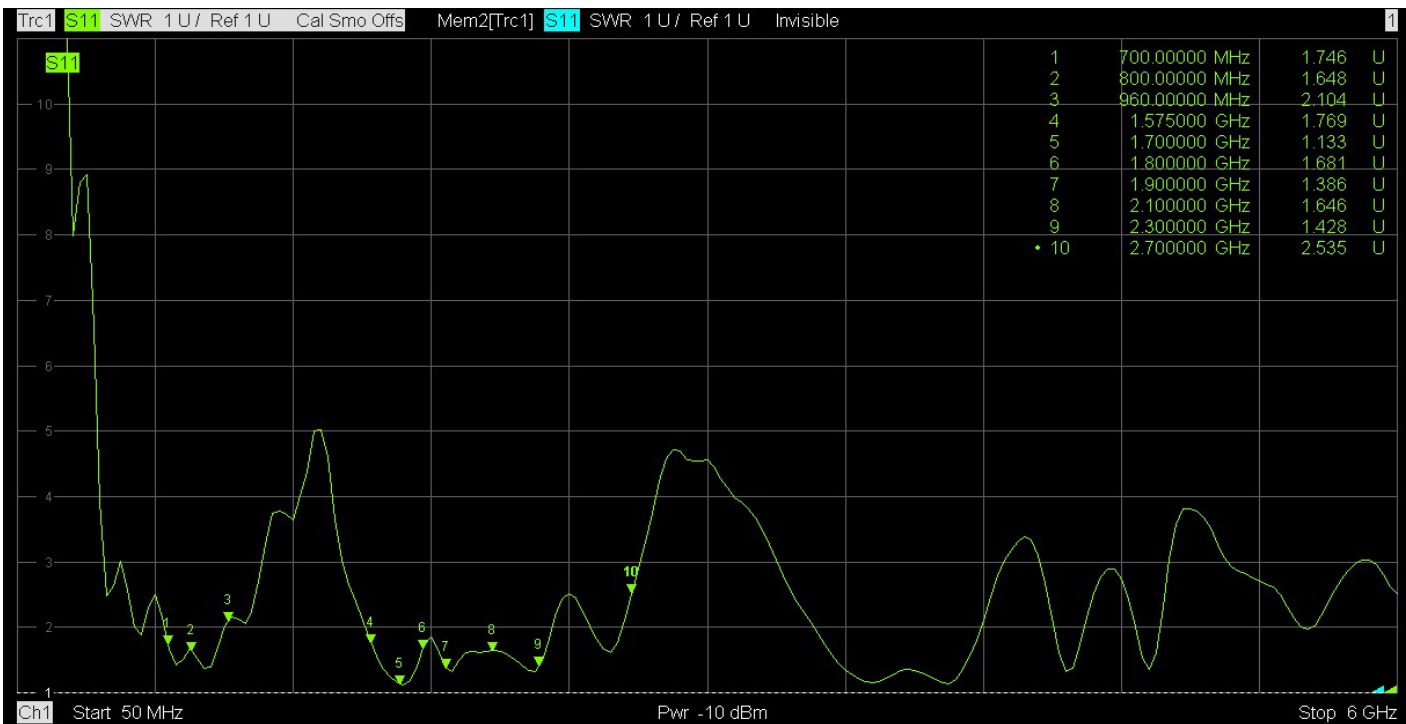
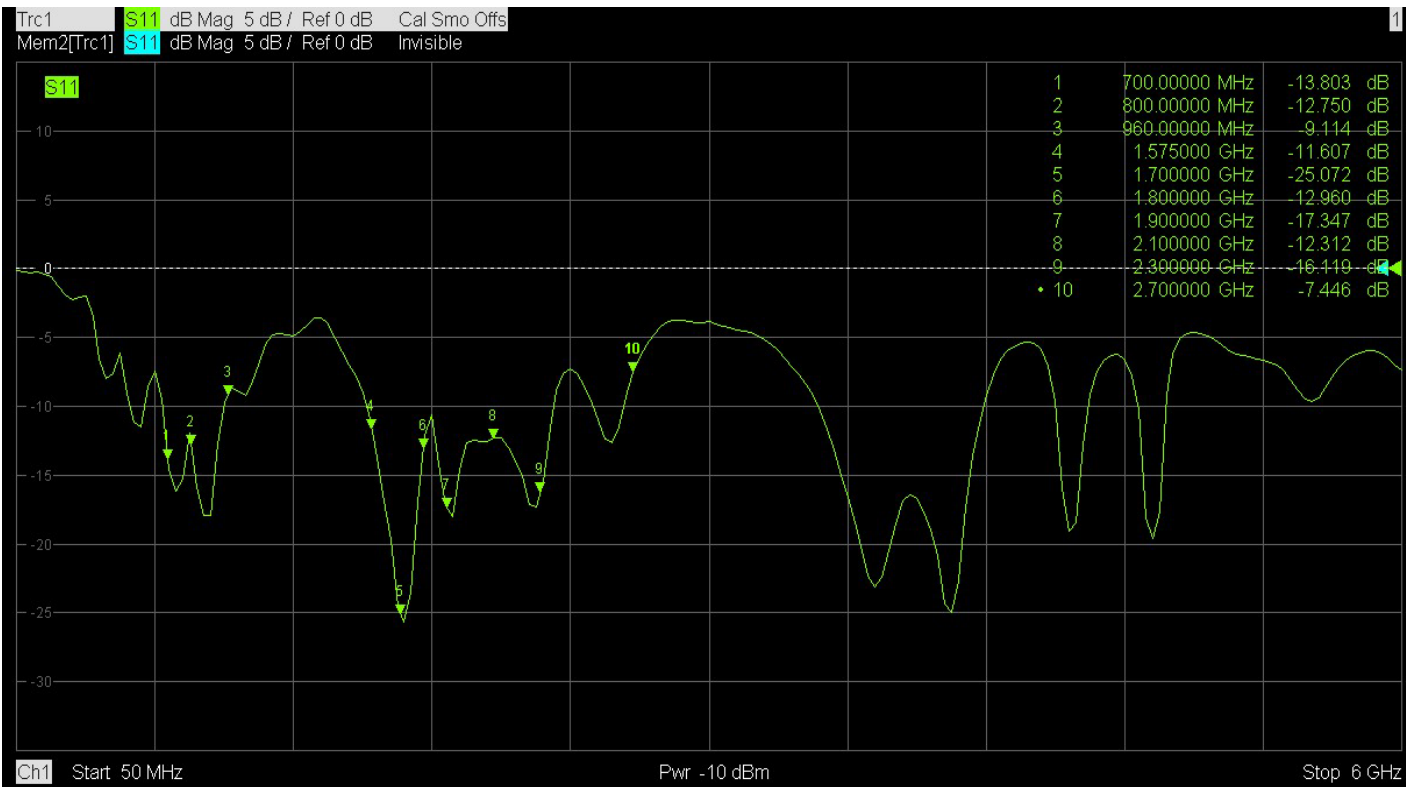
DA-0727-01-1

FLAT TYPE 700-960/1575-2700MHz DIPOLE 1-4 dBi ANTENNA FOR SMA PLUG RP (Antenna Plane to the left and right)

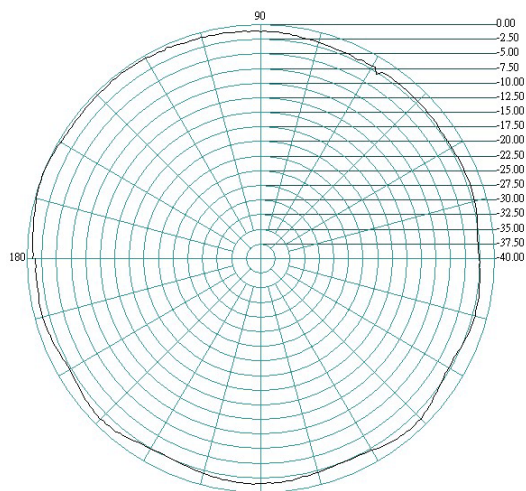


ANTENNA CONNECTOR: SMA PLUG RP (option)

1	FREQUENCY : 700-960/1575-2700MHz	6	IMPEDANCE : 50 Ω
2	GAIN : 1-4 dBi	7	SIZE: L120×W35×H12 mm
3	V.S.W.R : <=2.5	8	
4	Polarization : Vertical	9	
5	ANTENNA CONNECTOR: SMA PLUG RP (option)	10	



H-PLANE



E-PLANE

